

CLAMPBROS®



MOBILE WORK TABLE

MODEL NO: CMWT35

PART NO: 7630035

USER MANUAL

ORIGINAL INSTRUCTIONS

DL0424

INTRODUCTION

Thank you for purchasing this CLARKE Mobile Work Table.

Before attempting to use this product, please read this manual thoroughly and follow the instructions carefully. In doing so you will ensure the safety of yourself and that of others around you, and you can look forward to your purchase giving you long and satisfactory service.

Please keep these instructions in a safe place for future reference.

GUARANTEE

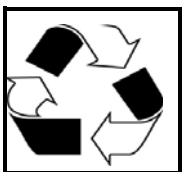
This product is guaranteed against faulty manufacture for a period of 12 months from the date of purchase. Please keep your receipt which will be required as proof of purchase.

This guarantee is invalid if the product is found to have been abused or tampered with in any way, or not used for the purpose for which it was intended.

Faulty goods should be returned to their place of purchase, no product can be returned to us without prior permission.

This guarantee does not effect your statutory rights.

ENVIRONMENTAL PROTECTION



DO NOT dispose of old products or damaged parts with general household waste. All tools, accessories and packaging no longer required should be sorted, taken to a recycling centre and disposed of appropriately.

DESCRIPTION

This mobile work table consists of a wide table tray, an adjustable height support column and four wheels. This work table is a movable multi-function tool table, **NOT** a heavy support equipment or transport table. Please pay attention to the maximum load weight capacity.

SPECIFICATION

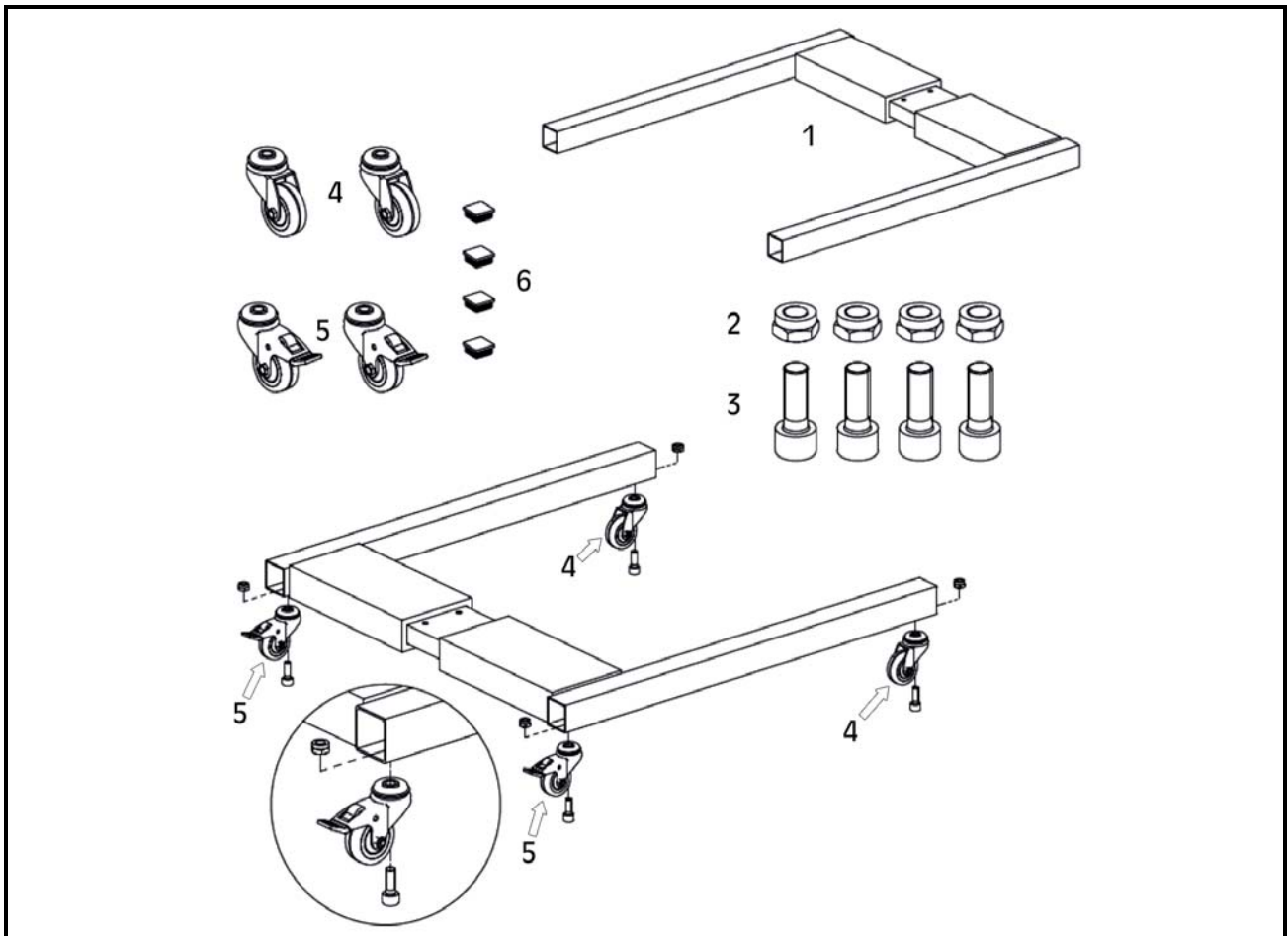
Product Description	Mobile Work Table - CMWT35
Part Number	7630035
Work Table Weight	17.5kg
Maximum Load Weight	35kg (77.16lb) Evenly Loaded
Measurements	Height Max.: 1285mm Height Min.: 940mm Width: 760mm Depth: 740mm
Tool Tray Working Area	Depth: 750mm Width: 520mm

SAFETY

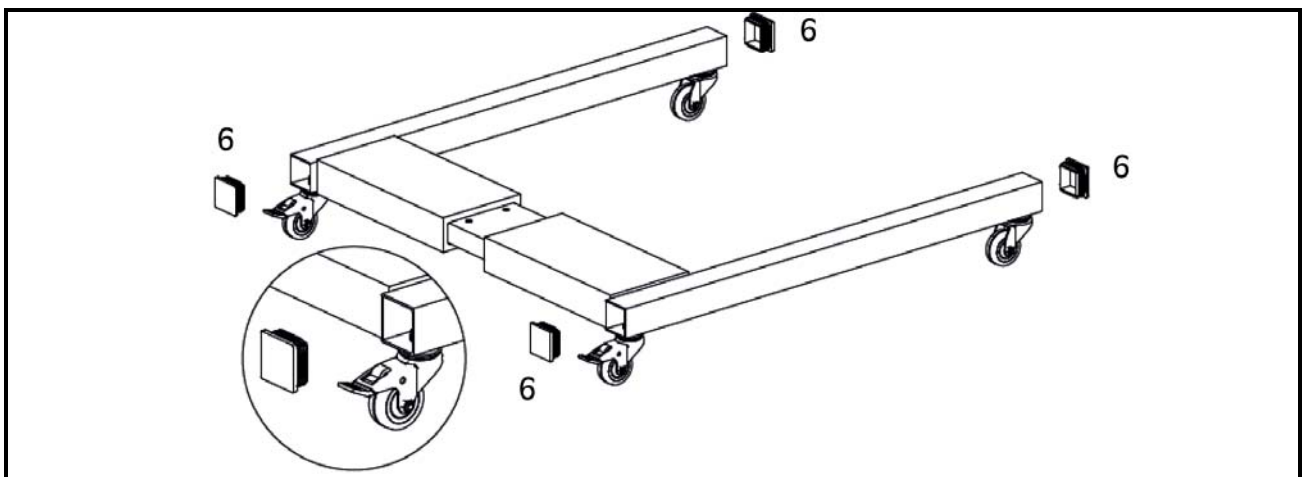
1. Ensure that this user manual is read and understood by everybody that will be using this work table.
2. Take care when placing a load on to the work table. It should be placed gently so that the strain is taken up gradually.
3. **NEVER** exceed the maximum load weight of 35kg.
4. **DO NOT** move the table while it is carrying excessive weight.
5. **ALWAYS** ensure you are working on a firm flat stable surface.
6. **DO NOT** mount/directly attach power tools on to the work table.
7. **NEVER** stand on the work table.
8. Before use, **ALWAYS** ensure that the locking pin is securely positioned and the wheel locks are in proper working condition. Failure to follow these instructions may result in personal injury or equipment damage.
9. **AVOID** storing the work table outside or in humid environments.

ASSEMBLY

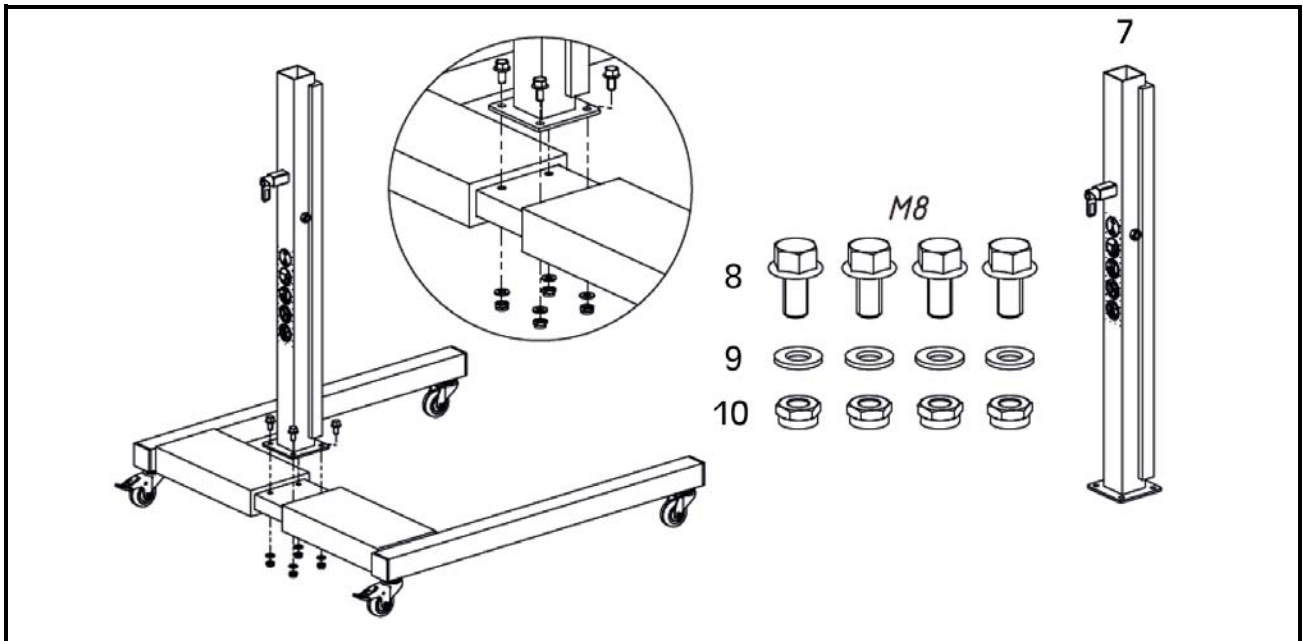
1. Place a nut (2) into each end of the leg section (1), as shown.
2. Place a bolt (3) through each castor (4&5) and the leg section and tighten into place. Make sure that the 2 locking casters (5) are positioned at the cross section end of each leg, as shown



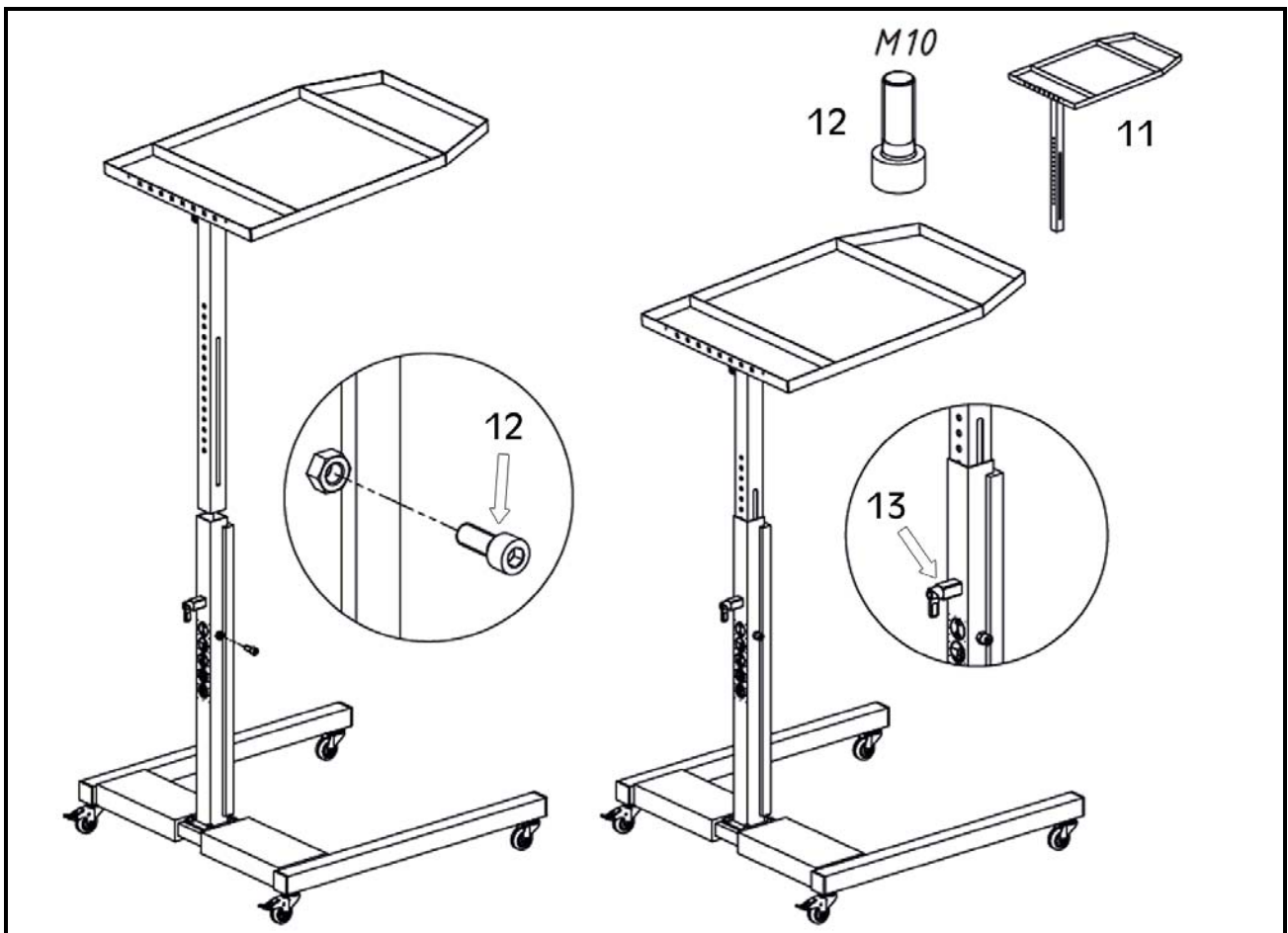
3. Place a rubber stopper (6) over each end of the leg sections, as shown.



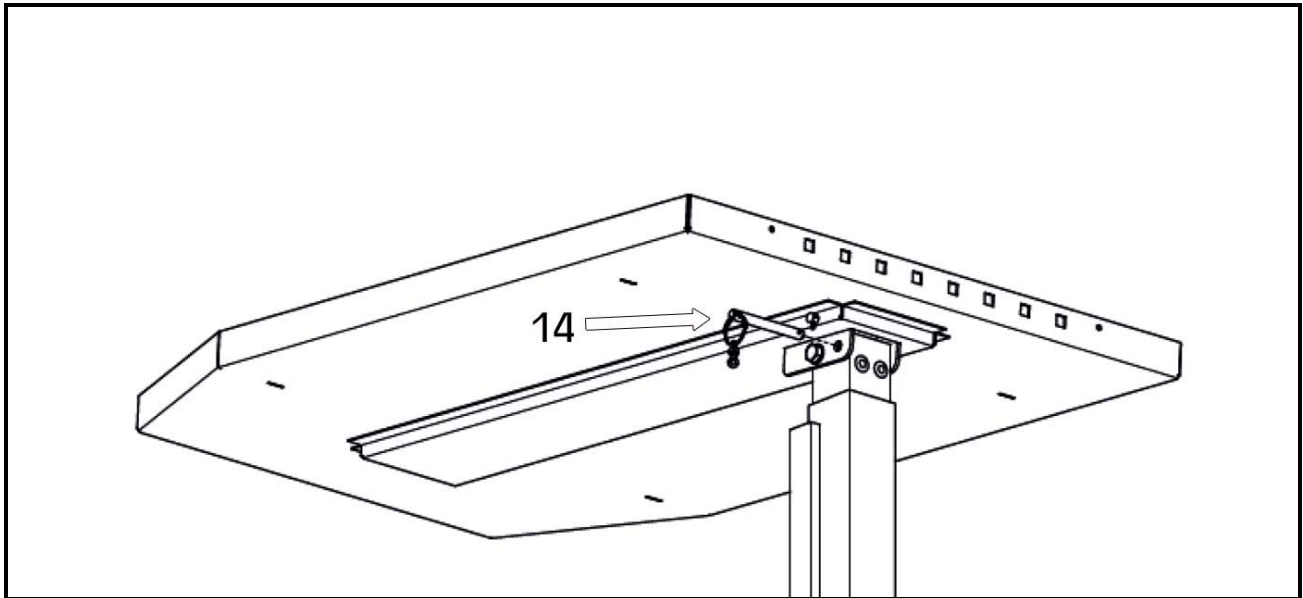
- Place the table support (7) onto the leg section, with the rubber protection side facing inward as shown.



- Place the 4 M8 bolts (8) into the holes at the base of the table support and tighten using the washers (9) and nuts (10) from underneath the leg section.
- Place the tool table section (11) into the table support, as shown.



7. Place the running bolt (12) into the nut in the side of the table support. This is to stop the tool table section being lifted out inadvertently.
8. Move the tool table section up or down to the height required and lock in place using the locking pin (13).
9. Pull the tool table top up to the horizontal and insert the fixing pin (14) in place, as shown.



MAINTENANCE

1. When not in use, lower the position of the tool table to the lowest position, and pull out the fixing pin of the table panel to place the table in the folded state.
2. After each use, remove any accessories or tools and clean the table to prevent oil pollution.
3. Regularly check whether the casters are flexible and the brakes work correctly. If there is any movement problems, replace the casters.

OVERVIEW



Storage Position



A SELECTION FROM THE VAST RANGE OF

Clarke®

QUALITY PRODUCTS



AIR COMPRESSORS
From DIY to industrial, Plus air tools, spray guns and accessories.

GENERATORS
Prime duty or emergency standby for business, home and leisure.

POWER WASHERS
Hot and cold, electric and engine driven - we have what you need

WELDERS
Mig, Arc, Tig and Spot. From DIY to auto/industrial.

METALWORKING
Drills, grinders and saws for DIY and professional use.

WOODWORKING
Saws, sanders, lathes, mortisers and dust extraction.

HYDRAULICS
Cranes, body repair kits, transmission jacks for all types of workshop use.

WATER PUMPS
Submersible, electric and engine driven for DIY, agriculture and industry.

POWER TOOLS
Angle grinders, cordless drill sets, saws and sanders.

STARTERS/CHARGERS
All sizes for car and commercial use.



PARTS & SERVICE: 0208 988 7400

Parts Enquiries
Parts@clarkeinternational.com

Servicing & Technical Enquiries
Service@clarkeinternational.com

SALES: UK 01992 565333 or Export 00 44 (0)1992 565335

Clarke INTERNATIONAL Hemnall Street, Epping, Essex CM16 4LG
www.clarkeinternational.com